

MARITIME
SAFETY
CATALOGUE



LALIZAS 
Simply life saving

Total Safety Solution

BINOCULARS



LIFEBUOY RING & LIGHT



IMMERSION SUITS



LIFEJACKETS



BREATHING DEVICES



FIRE-FIGHTING EQUIPMENT

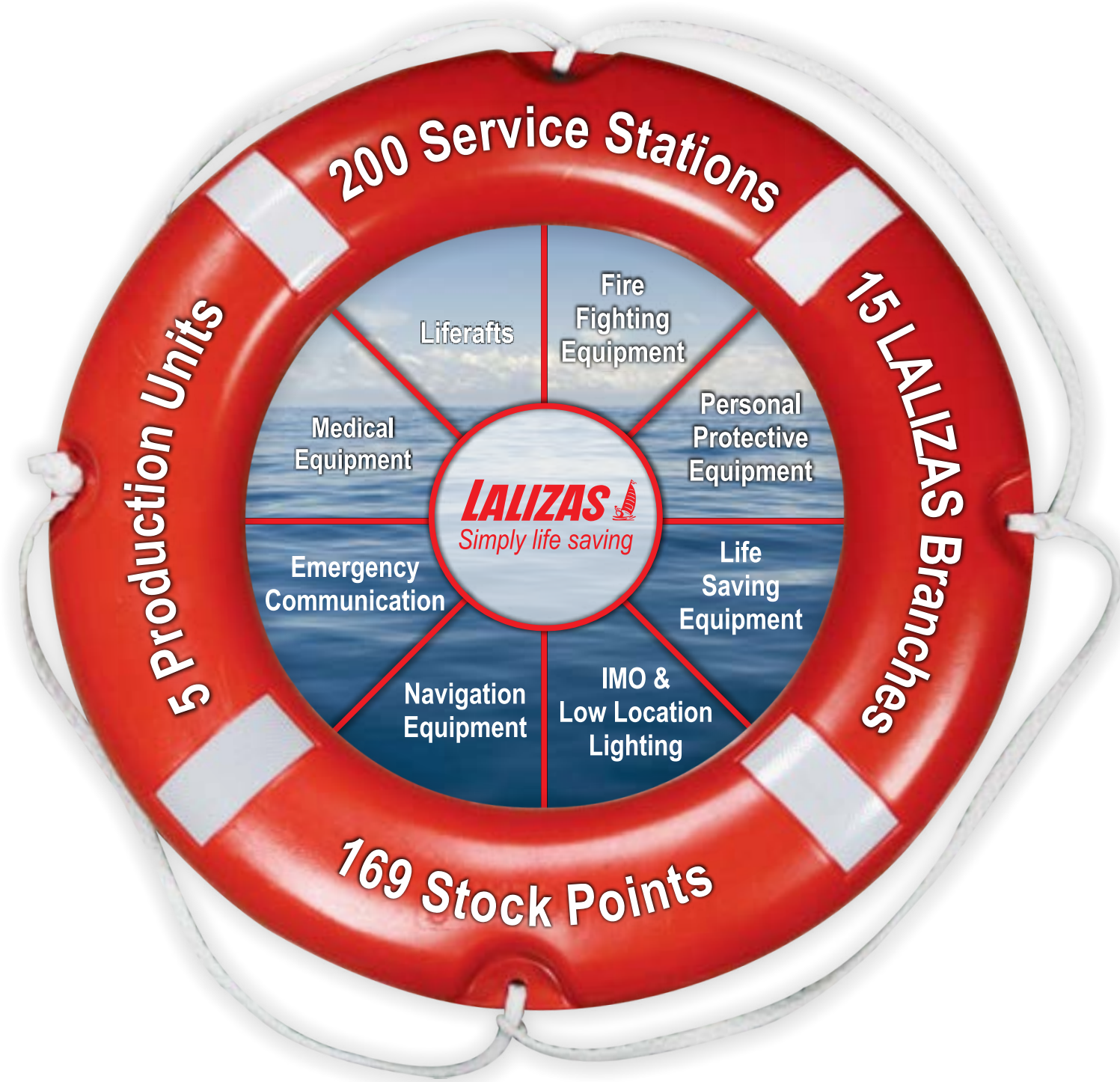


IMO SIGNS & LLL





LALIZAS 
Simply life saving



4 - 9	Liferafts & Accessories
10 - 11	Immersion Suits
12 - 21	Lifejackets & Accessories
22 - 25	Lifebuoy Rings, Lights & Accessories
26	Rescue Systems
26	Day Signals
27	Visual Signals
28	Polar Survival Equipment
29	Embarkation & Pilot Ladders
30 - 35	Breathing Devices & Fire-Fighting Equipment
36	Offshore Personal Dry Bag
36	Chemical & Gas Protection
37	Workwear
38 - 39	Medical Equipment
40 - 42	Navigation & Lifeboat Equipment
43	Inflatable Tank Check Boats
44	Emergency Equipment Devices
45	Buoys & Fenders
46 - 47	IMO Signs & Low Location Lighting
48	Service Network & After Sales Support



LALIZAS Liferaft SOLAS OCEANO

Throw Overboard Type



SOLAS Approved by Germanischer Lloyds

- For use on board commercial vessels engaged on international voyages
- Equipment Packs: SOLAS Pack A or SOLAS Pack B
- Available Capacities: from 6 to 35 Persons
- Flat Canister option available (Capacities from 8 to 12 Persons)
- GRP Canister
- Durable Rubber Fabric
- Double Chambered Tubes
- Stowage Height up to 36m (Painter line up to 46m)
- Insulated Floor for low temperature conditions
- High Visibility Canopy with SOLAS reflective tapes
- Fully operational at temperatures from -30°C up to +65°C
- Global Service Stations Network
- **Supplied with Deck Cradle in wooden box**

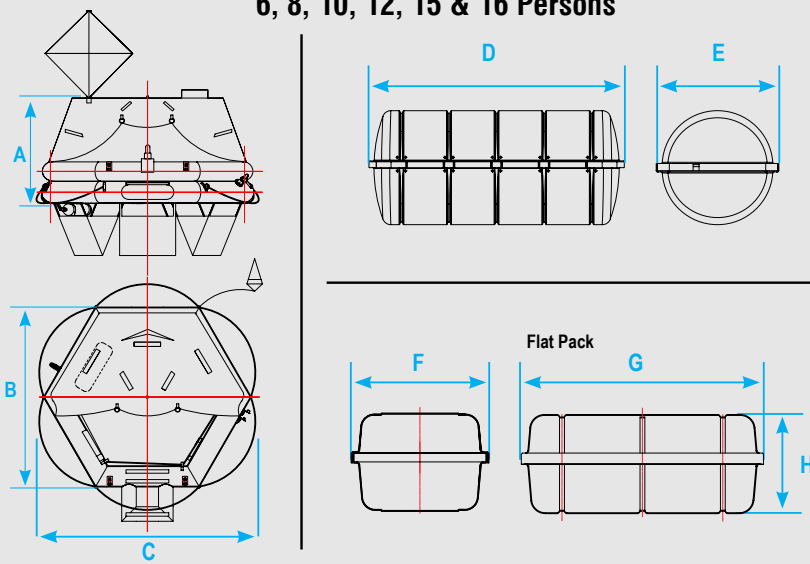


0098



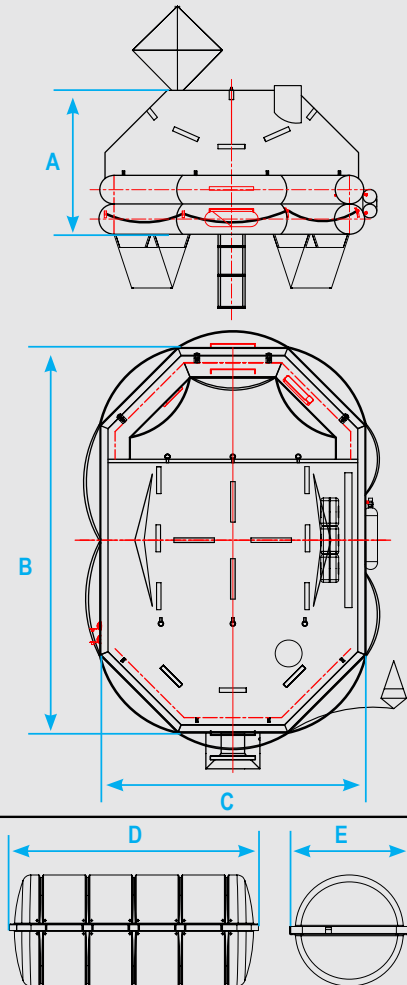
Flat Pack

6, 8, 10, 12, 15 & 16 Persons



Code	Persons	Pack	Dimensions (mm)							
			A	B	C	D	E	F	G	H
79867	6	A	1200	2104	2104	1090	615	-	-	-
79903		B				1045	545	-	-	-
79868	8	A	1250	2390	2390	1090	615	-	-	-
79880		Flat - A				-	-	564	994	405
79904	10	B	1400	2694	2694	1045	545	-	-	-
79869		A				1230	630	-	-	-
79905	12	B	1500	2924	2924	1090	615	-	-	-
79870		A				1230	630	-	-	-
79882	15	Flat - A	1600	3238	3238	-	-	664	1044	405
79906		B				1090	615	-	-	-
79871	16	A	1600	3238	3238	1285	670	-	-	-
79907		B				1230	630	-	-	-
79872	16	A	1600	3330	3330	1285	670	-	-	-
79908		B				1230	645	-	-	-

20, 25, 30 & 35 Persons



Code	Persons	Pack	Dimensions (mm)				
			A	B	C	D	E
79873	20	A	1600	4304	2974	1335	696
79909		B				1285	670
79874	25	A	1650	4894	3194	1490	757
79910		B				1335	696
79875	30	A	1700	5384	3414	1700	765
79911		B				1490	757
79876	35	A	1750	5899	3568	1700	765
79912		B				1490	757



LALIZAS Liferaft SOLAS OCEANO

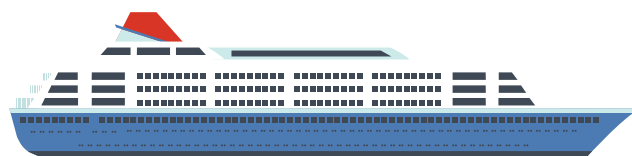
Throw Overboard Self-Righting Type

SOLAS Approved by Germanischer Lloyds

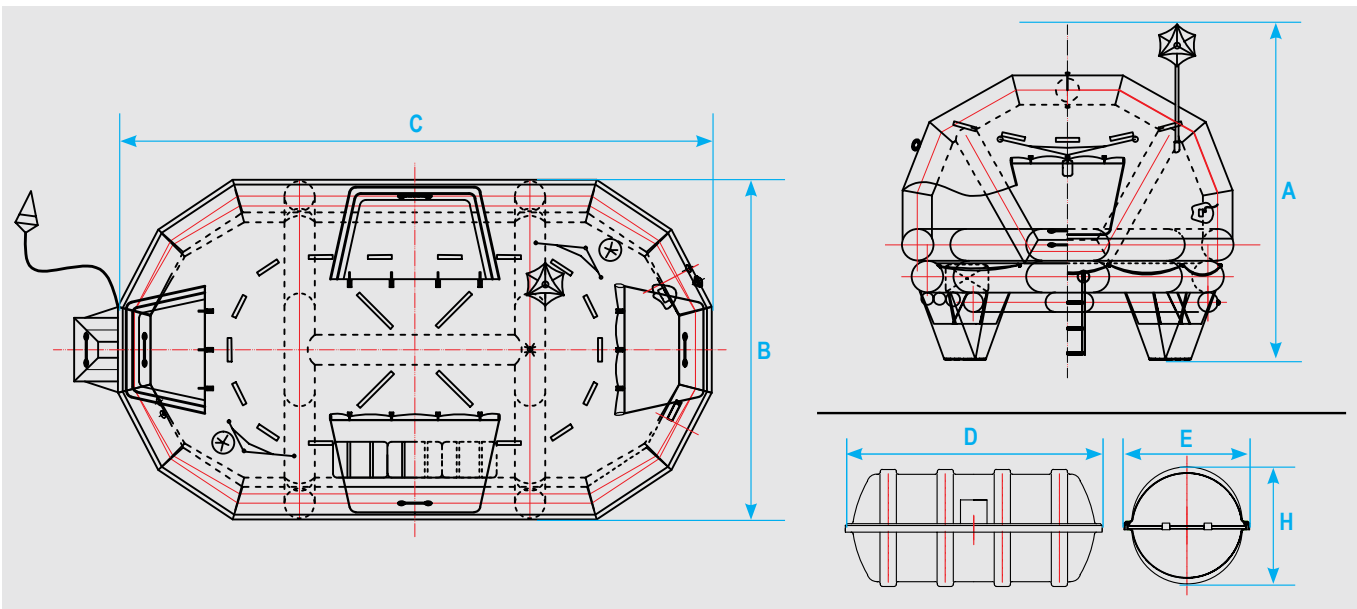
- For use on all types of passenger vessels
- Equipment Packs: SOLAS Pack A or SOLAS Pack B
- Available Capacities: from 25 to 100 Persons
- GRP Canister
- Durable Rubber Fabric
- Double Chambered Tubes
- Stowage Height up to 36m (Painter Line up to 46m)
- Insulated Floor for low temperature conditions
- High Visibility Canopy with SOLAS Reflective Tapes
- Fully Operational at temperatures from -30°C up to +65°C
- Global Service Stations Network
- Supplied with Deck Cradle in wooden box



Suitable for



25, 50 & 100 Persons



Code	Persons	Pack	Dimensions (mm)					
			A	B	C	D	E	H
72549	25	A	2250	3130	5350	1700	765	680
72552		B				1490	757	678
72550	50	A	2900	4275	7470	2095	895	877
72553		B				1800	810	700
72551	100	A	3400	5380	11090	2400	1050	1050
72554		B				2095	895	995



LALIZAS Liferaft SOLAS OCEANO

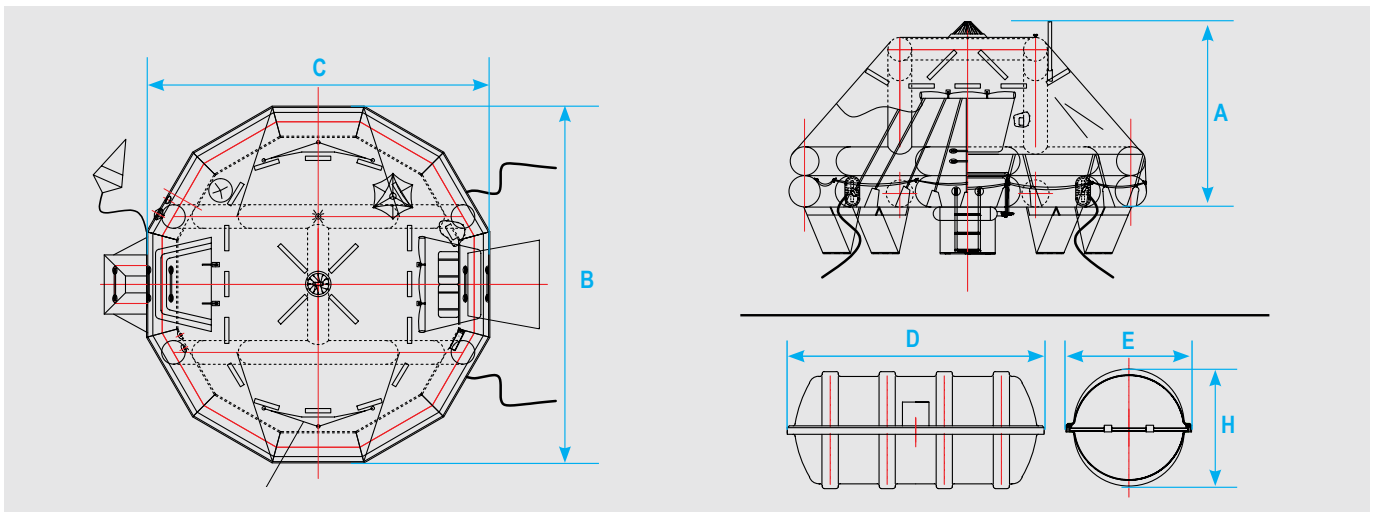
Davit-Launched Type

SOLAS Approved by Germanischer Lloyds



- For use on all kinds of vessels, providing safe evacuation from the vessel's deck
- Equipment Packs: SOLAS Pack A or SOLAS Pack B
- Available Capacities: from 15 to 25 Persons
- GRP Canister
- Durable Rubber Fabric
- Double Chambered Tubes
- Stowage Height up to 18m (Painter line up to 28m)
- Insulated Floor for low temperature conditions
- High Visibility Canopy with SOLAS reflective tapes
- Fully operational at temperatures from -30°C up to +65°C
- Global Service Stations Network
- **Supplied with Deck Cradle in wooden box**

15, 20 & 25 Persons



Code	Persons	Pack	Dimensions (mm)					
			A	B	C	D	E	H
79883	15	A	1550	3310	3220	1350	700	660
79887		B				1285	670	575
79885	20	A	1850	3815	3715	1470	750	710
79888		B				1350	700	660
79886	25	A	2000	4225	4065	1680	770	710
79889		B				1470	750	710

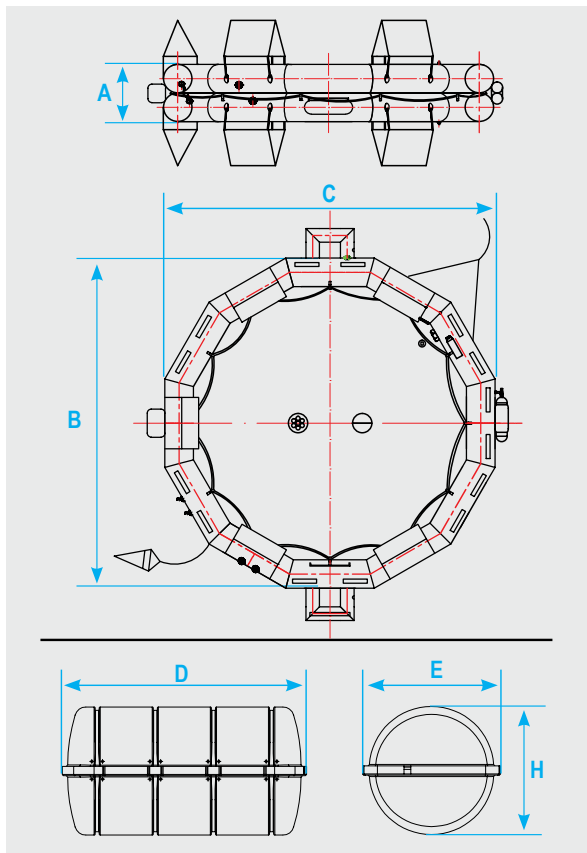


LALIZAS Liferaft OCEANO

Open Reversible Type

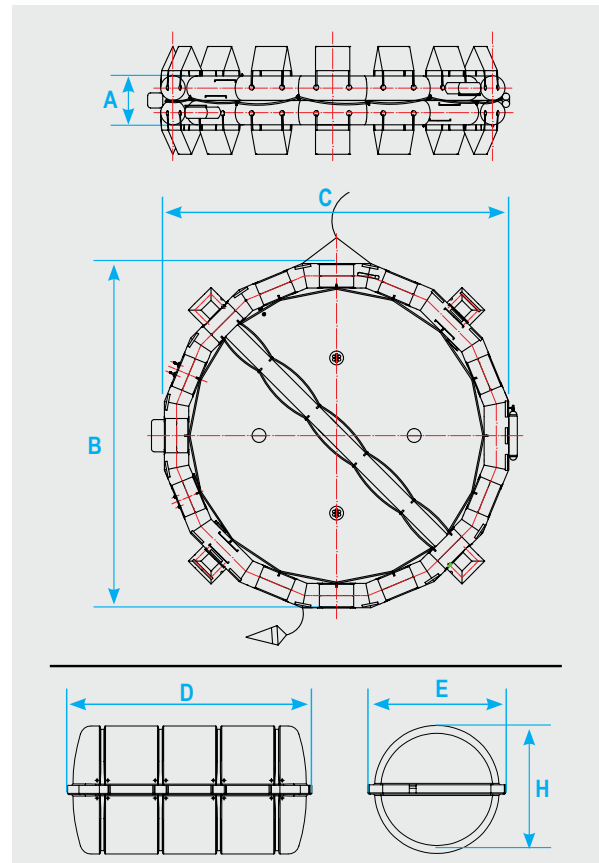
- Ideal for passenger ships operating in coastal or inland waters
- Equipment Pack: HSC Pack
- Available Capacities: from 25 to 65 Persons
- GRP Canister
- Durable Rubber Fabric
- Double Chambered Tubes
- Stowage Height up to 10m (Painter line up to 20m)
- Fully operational at temperatures from -18°C up to +65°C
- Global Service Stations Network
- **Supplied with Deck Cradle in wooden box**

25 & 30 Persons



Code	Persons	Pack	Dimensions (mm)					
			A	B	C	D	E	H
79898	25	HSC	712	4114	4114	1090	615	530
79899	30		746	4474	4474	1230	630	550

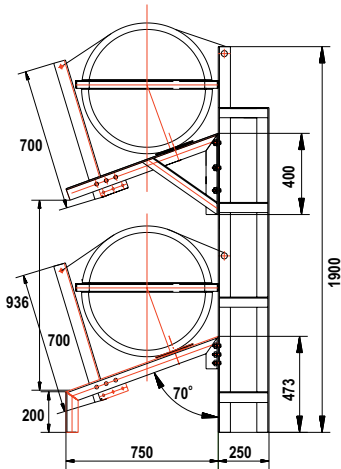
50 & 65 Persons



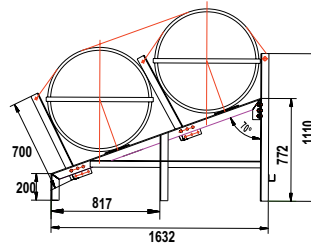
Code	Persons	Pack	Dimensions (mm)					
			A	B	C	D	E	H
79900	50	HSC	854	5680	5680	1490	757	678
79901	65		914	6434	6434	1700	755	680

Code.....72119

**Vertical Cradle for SOLAS OCEANO,
2-tier, 6-25(A), 6-35(B)**

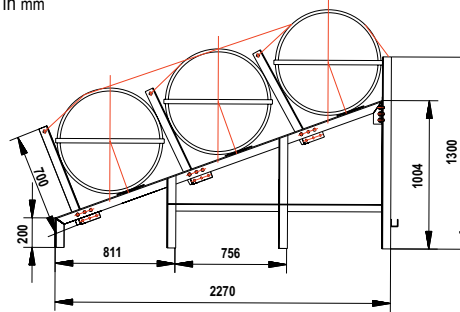


Dimensions are in mm



Code.....72136

**Cradle for SOLAS OCEANO,
2-tier, 30-35(A)**



Code.....72120

**Cradle for SOLAS OCEANO,
3-tier, 6-25(A), 6-35(B)**



Code.....70290

**HAMMAR H20 Hydrostatic
Release for Liferafts
(USCG & SOLAS/MED Approved)**

- Simple to install
- No spare parts or service required
- Must be replaced two years after installation



Code.....71892

**Lashing with Hook
for Liferafts 6-35 prs**

Code.....72748

**Lashing with Hook
for Liferafts > 50 prs**

- Suitable for :**
- All Hydrostatic Release Units
 - OCEANO Life Raft Capacities



List of Equipment	Amount	
	SOLAS Pack A	SOLAS Pack B
Portable buoyant bailer	"(Up to 12 persons) 1 pc (More than 12 persons) 2 pcs."	"(Up to 12 persons) 1 pc (More than 12 persons) 2 pcs."
Sponge	2	2
Buoyant paddles	2	2
Whistle	1	1
Waterproof torch (with separate battery and bulb)	1	1
Signalling mirror	1	1
Anti-seasickness pills, per person	6	6
Seasickness bag, per person	1	1
Red hand flares	6	3
Red parachute flares	4	2
Repair kit	1	1
Bellow	1	1
Operational manual	1	1
Survival at sea - Instruction Manual	1	1
Table of the life-saving signals	1	1
Log Book	1	1
First-aid kit	1	1
Orange Smoke Signals	2	1
Food ration, per person	10000kJ	-
Fresh water, per person	1,5L	-
Sea-anchor	2	2
Tin opener	3	-
Fishing tackle	1	1
Radar reflector	1	1
Thermal protective aids	2	2
Drinking cup	1	-
Buoyant rescue quoit	1	1
Safety Knife	"(Up to 12 persons) 1 pc (More than 12 persons) 2 pcs."	"(Up to 12 persons) 1 pc (More than 12 persons) 2 pcs."

Survival Equipment for Liferafts & Lifeboat



Code.....57070

**LALIZAS Emergency
liferaft food ration
0,5 kg**



**Halal Certificate
Health Certificate**



Code.....56700

**LALIZAS Emergency
liferaft drinking
water 4x125ml**



**Halal Certificate
Health Certificate**



0098



Immersion Suits





- To be worn in conjunction with an approved lifejacket
- Can be unpacked, donned and secured in less than 2 min
- Fitted with 400 cm² of LALIZAS SOLAS retro-reflective tape
- Permanent Hands cover with neoprene gloves or rubber
- Covers whole body, apart from face
- Highly visible red color
- Ergonomically tested, per MSC/circ980
- Thermally Insulated: has passed all MSC/Circ980 tests
- Diesel-Oil Resistant: has passed all MSc/Circ 980 tests
- Flame Resistant: has passed all MSC/Circ980 tests
- Has been submitted successfully to water ingress, jump and leak tests, per MSC/circ 980
- Stowage Temperature: -30°C to +56°C (Temperature Cycling Tests per MSC/Circ 980)
- Can be combined with Lifejacket Lights range

Specifications:

- Neoprene material
- Neoprene gloves or Rubber gloves
- Original SOLAS retro reflective tape, code: 70180
- Buddy line with special pocket case
- Extra safe zipper. Shields the suit & prevents water penetration



Immersion Suits Insulated "Neptune"



SPECIFICATIONS	Adult		
	72745	70454	70455
CODE	72745	70454	70455
SIZE	Small	Universal Size	Xlarge
SOLAS 			
HEIGHT RANGE (cm)	140-160	160-190	max 205
WEIGHT RANGE (kg)	40-80	55-95	85-130
DONNING INSTRUCTIONS (Code)	831568		



* Rubber gloves are available on demand and suitable with 72115



Immersion Suits Insulated "Neptune" with rubber gloves

SPECIFICATIONS	Immersion suite, Adult
CODE	70457*
SIZE	Universal Size
SOLAS 	
HEIGHT RANGE (cm)	160-190
WEIGHT RANGE (kg)	55-95
DONNING INSTRUCTIONS (Code)	831568

Code.....70168

Inspection device for Immersion suit

The aluminium kit contains a set of Servicing Equipment.

- Face fixture (two parts)
- Pressure gauge (0-6kPa)
- Foot pump (with multi-valve adaptor)
- Glue and applicator (two pieces)
- Neoprene patches



MSC /Circ./1047, MSC /Circ. 1114



SOLAS lifejackets



LALIZAS Lifejacket Lamda Auto, SOLAS 150N & 275N

SPECIFICATIONS	LALIZAS LAMDA SOLAS	
	71107	71216
CODE	71107	71216
AVERAGE ACTUAL BUOYANCY	180+ Nt	295+ Nt
SOLAS TESTING STANDARDS	MSC 201 (81), MSC 207 (81), MSC 200 (80), MSC 226 (82) & MSC 323 (89)	
INFLATED CHAMBERS	DOUBLE	
INFLATED MECHANISMS	2 x AUTOMATIC/MANUAL	
CO ₂ CYLINDERS	2 x 33 gr	2 x 60 gr
PRESSURE RELIEF VALVE	YES	
TURNING TIME minimum	< 5 sec	
INDIVIDUAL FABRIC COVER	Four Tailored Pieces	
FABRIC MATERIAL	Soft PVC	
BELT MATERIAL	Top Quality	
LIFTING LOOP	Yellow	
BUDDY LINE	YES	
"EASY ACCESS" WHISTLE & LIFEJACKET LIGHT POSITION	YES	
EASY-WEAR & PRECISE FIT DESIGN	YES	
USER INSTRUCTIONS IMPRINT	YES	
RAW MATERIALS TESTED ACCORDING TO	ISO:12402-7, ISO:12402-8	
DONNING INSTRUCTIONS (Code)	831579	
SERVICE INTERVALS	Annual	



Front



Back



1463



Spray Hood



LALIZAS Lifejacket Lamda Auto, SOLAS 330N

SPECIFICATIONS	LALIZAS LAMDA SOLAS	
CODE	72114	72115
AVERAGE ACTUAL BUOYANCY	335 Nt	
SOLAS TESTING STANDARDS	MSC 201 (81), MSC 207 (81), MSC 200 (80), MSC 226 (82), MSC 323 (89) & MSC 368 (93)	
HSE APPROVAL	YES	
INFLATED CHAMBERS	DOUBLE	
INFLATED MECHANISMS	2 x AUTOMATIC/MANUAL	
CO ₂ CYLINDERS	2 x 60 gr	
PRESSURE RELIEF VALVE	YES	
TURNING TIME minimum	<5 sec	
INDIVIDUAL FABRIC COVER	Four Tailored Pieces	
FABRIC MATERIAL	Soft PVC	
BELT MATERIAL	Top Quality	
CROTCH STRAP	YES	
SPRAYHOOD	NO	YES
LIFTING LOOP	YES	
BUDDY LINE	YES	
"EASY ACCESS" WHISTLE & LIFEJACKET LIGHT POSITION	YES	
EASY-WEAR & PRECISE FIT DESIGN	YES	
USER INSTRUCTIONS IMPRINT	YES	
RAW MATERIALS TESTED ACCORDING TO	ISO:12402-7, ISO:12402-8	
SERVICE INTERVALS	Annual	

LALIZAS Spray Hood for SOLAS Inflatable Lifejackets, 150N, 275N & 330N

CODE	72113
ACCORDING TO	ISO:12402-8



1463



Lifejacket Belt-Pack, Delta Auto 150N, SOLAS

SPECIFICATIONS

LALIZAS DELTA SOLAS

SPECIFICATIONS	LALIZAS DELTA SOLAS
CODE	71108
AVERAGE ACTUAL BUOYANCY	180+ Nt
SOLAS TESTING STANDARDS	MSC 201 (81), MSC 207 (81), MSC 200 (80), MSC 226 (82) & MSC 323 (89)
INFLATED CHAMBERS	DOUBLE
INFLATED MECHANISMS	2 x AUTOMATIC/MANUAL
CO ₂ CYLINDERS	2 x 33 gr
PRESSURE RELIEF VALVE	YES
TURNING TIME minimum	< 5 sec
FABRIC MATERIAL	Nylon Valice
BELT MATERIAL	Top Quality
LIFTING LOOP	Yellow
BUDDY LINE	YES
"EASY ACCESS" WHISTLE & LIFEJACKET LIGHT POSITION	YES
EASY-WEAR & PRECISE FIT DESIGN	YES
USER INSTRUCTIONS IMPRINT	YES
RAW MATERIALS TESTED ACCORDING TO	ISO:12402-7, ISO:12402-8
DONNING INSTRUCTIONS (Code)	831580
SERVICE INTERVALS	Annual

SOLAS/MED & CANADIAN APPROVED FOAM LIFEJACKETS COLLECTION



0098



CANADIAN APPROVAL

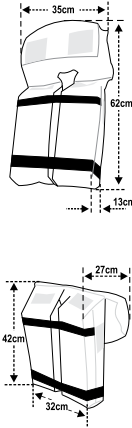
All raw materials and Accessories of the lifejacket are tested and approved per SOLAS/MED requirements



SOLAS CERTIFICATION	SOLAS 74, as amended by IMO Resolution MSC. 201 (81), MSC. 216 (82), L.S.A. Code as amended by, 207 (81), 218 (82); and MSC. 81 (70), MSC. 200 (80), MSC. 226 (82), MSC. 323 (89), MSC. 368 (93) & MSC. 378 (93)
CANADIAN CERTIFICATION	Canadian Standards TP 14612, Approval Procedures for Life Saving Appliances and Fire Safety Systems, Equipment and Products and TP 14475, Canadian Life Saving Appliance Standard. Can be placed onboard Canadian vessels

Advanced Folding Lifejacket SOLAS- (LSA Code) 2010

SPECIFICATIONS	Advanced 2010 ADULT FOLDING
CODE	70179
BUOYANCY	194 Nt
BODY WEIGHT	up to 140 kg*
AVERAGE TURNING TIME	1,4 sec
RETRO-REFLECTIVE TAPE	400 cm ²
LIFTING LOOP	YES
BUDDY LINE	YES
WHISTLE	YES
STORAGE TEMP	-30°C up to +65°C
DONNING INSTRUCTIONS (Code)	831571



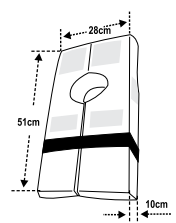
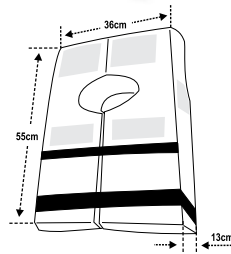
Advanced Lifejacket SOLAS-(LSA Code) 2010

SPECIFICATIONS	Advanced 2010 ADULT	Advanced 2010 CHILD
CODE	70178	70177
BUOYANCY	203 Nt	93 Nt
BODY WEIGHT	up to 140 kg*	from 15 to 43 kg
AVERAGE TURNING TIME	1,4 sec	
RETRO-REFLECTIVE TAPE	400 cm ²	
LIFTING LOOP	Black	
BUDDY LINE	YES	
WHISTLE	YES	
STORAGE TEMP	-30°C up to +65°C	
DONNING INSTRUCTIONS (Code)	831570	

Adult

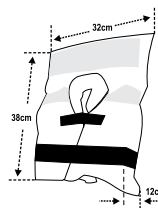


Child



Advanced Infant Lifejacket SOLAS-(LSA Code) 2010

SPECIFICATIONS	Advanced 2010 INFANT
CODE	70176
BUOYANCY	77 Nt
BODY WEIGHT	up to 15 kg
AVERAGE TURNING TIME	1,4 sec
RETRO-REFLECTIVE TAPE	400 cm ²
LIFTING LOOP	Black
BUDDY LINE	YES
WHISTLE	YES
STORAGE TEMP	-30°C up to +65°C
DONNING INSTRUCTIONS (Code)	831569



* Codes 70178 & 70179 are designed to fit persons weighing up to 140 kg, with a chest girth up to 1750 mm

SOLAS CERTIFICATION

SOLAS 74, as amended by IMO Resolution MSC. 201 (81), MSC. 216 (82), L.S.A. Code as amended by, 207 (81), 218 (82); and MSC. 81 (70), MSC. 200 (80), MSC. 226 (82), MSC. 323 (89), MSC. 368 (93) & MSC. 378 (93)

Compact Folding Lifejacket SOLAS LSA Code 2016

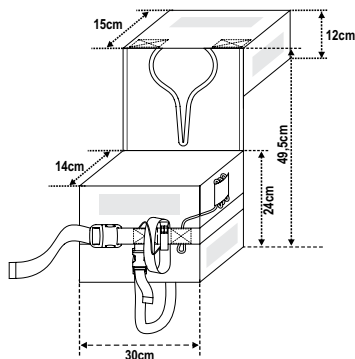
SPECIFICATIONS

CODE	72214
BUOYANCY	146 Nt
BODY WEIGHT	over 43 up to 140 kg
AVERAGE TURNING TIME	1,8 sec
RETRO-REFLECTIVE TAPE	400 cm ²
LIFTING LOOP	Black
BUDDY LINE	YES
WHISTLE	YES
STORAGE TEMP	-30°C up to +65°C

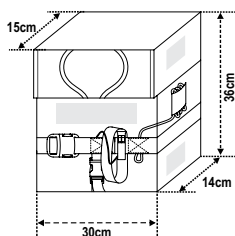
Compact 2016
ADULT



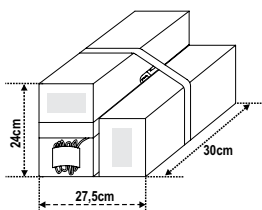
0098



Folding Options



1



2



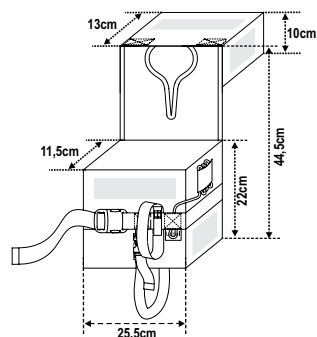
SPECIFICATIONS

CODE	72215
BUOYANCY	88 Nt
BODY WEIGHT	over 15 up to 43 kg
AVERAGE TURNING TIME	1,5 sec
RETRO-REFLECTIVE TAPE	400 cm ²
LIFTING LOOP	Black
BUDDY LINE	YES
WHISTLE	YES
STORAGE TEMP	-30°C up to +65°C

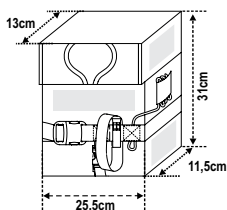
Compact 2016
CHILD



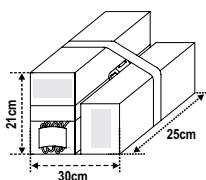
0098



Folding Options



1



2



* Codes 72214 is designed to fit persons weighing up to 140 kg, with a chest girth up to 1750 mm

Original Size



Code.....72349

LALIZAS Lifejacket LED flashing light “Safelite IV”
ON-OFF water activated, L.S.A. Code

- **Water-Activated LED Flashlight Technology**
- **Extra powerful LED light**
Offers lower consumption and longer life and operates automatically when it comes in contact with water.
- **ON-OFF button operation**
To turn it ON-OFF when out of water
- **Durable Plastic Body**
100% Waterproof via ultrasound welding & epoxy resin for extra safety.
- **Lithium Battery**
Ensures 5 year lifetime and more than 8 hours of continuous operation.
- **Universal Size Clamp**
Fits & locks easily in two moves with every 20 - 40 cm lifejacket belt, providing security & stability against sudden moves of panic
- **Inspection Friendly Marking**
Easy to read for instant inspection.

Original Size



Code.....72348

LALIZAS Lifejacket LED flashing light “Alkalite II”
ON-OFF water activated, L.S.A. Code

- **Water-Activated LED Flashlight Technology**
- **Extra powerful LED light**
Offers lower consumption and longer life and operates automatically when it comes in contact with water.
- **ON-OFF button operation**
To turn it ON-OFF when out of water
- **Durable Plastic Body**
100% Waterproof via ultrasound welding & epoxy resin for extra safety.
- **Universal Size Clamp**
Fits & locks easily in two moves with every 20 - 50 cm lifejacket belt, providing security & stability against sudden moves of panic
- **Inspection Friendly Marking**
Easy to read for instant inspection.
- **Alkaline Battery**
Smoother and easier waste management. Ensures 5 year lifetime and more than 8 hours of continuous operation.



Code.....72542
Hole Puncher
For 72348-72349



Code.....72543
Base for Lifejacket
Flashing Light 72348

Suitable for: Immersion Suit, Lifejackets SOLAS & ISO and Liferaft Leisure

ISO lifejackets



Vita Inflatable Lifejacket Manual Adult 120N, ISO 12402-4

SPECIFICATIONS	LALIZAS VITA ISO	
	72326*	72737
BUOYANCY CHAMBER	120Nt	
PRODUCT CERTIFICATES	ISO 12402-4:2006 / Amd 1:2010 & ISO 12402-6:2006 /Amd 1:2010	
TURNING TIME minimum	<5 sec	
BELT MATERIAL	Top quality	
INFLATION	Manual	Automatic
ACCESSORIES	Whistle, plastic buckle, provided in transparent pouch	
"EASY ACCESS" WHISTLE & LIFEJACKET LIGHT POSITION	YES	
EASY-WEAR & PRECISE FIT DESIGN	YES	
USER INSTRUCTIONS FRONT IMPRINT	NO	
RAW MATERIALS TESTED ACCORDING TO	ISO: 12402-7, ISO:12402-8	
WARRANTY	3 years after manufactured date	



***Attention!** If package is without damage and stored appropriate, then it should be serviced after 10 years from manufacturing date

Inflatable Lifejackets Sigma 170N, CE ISO 12402-3



SPECIFICATIONS	LALIZAS SIGMA ISO			
	71094	71096	71097	72081
BUOYANCY CHAMBER	170Nt			
PRODUCT CERTIFICATES	ISO 12402-3:2006 / Amd 1:2010			
TURNING TIME minimum	< 5 sec			
INDIVIDUAL FABRIC COVER	Four Tailored Pieces / Durable Nylon			
COVER COULOR	Red		Black	
BELT MATERIAL	Top Quality			
INFLATION	Automatic	Automatic	Manual	Automatic
ACCESSORIES	Harness & D-Ring	-	-	Clip Crotch Strap, Harness & D-Ring
LIFTING LOOP	Yellow			
"EASY ACCESS" WHISTLE & LIFEJACKET LIGHT POSITION	YES			
EASY-WEAR & PRECISE FIT DESIGN	YES			
USER INSTRUCTIONS FRONT IMPRINT	YES			
RAW MATERIALS TESTED ACCORDING TO	ISO:12402-7, ISO:12402-8			
WARRANTY	3 years after manufactured date per instruction manual direction			



Front

Sigma Lifejackets feature the following characteristics:

- CE ISO 12402-3 approval
- Ultra reliable inflator mechanism
- Compatible with all major suppliers CO₂ bottles
- Commercial heavy duty protective outer cover
- Easy re-packing
- Economical re-arming kits
- 170 Newtons of buoyancy when fully inflated
- Auto inflator designed with improved splash resistance
- Maintain the correct flotation position in the water (face-up)
- Fully adjustable straps
- Heavy-Duty, Stainless D-Rings (71094 & 72081) for attachment of a safety line



Sigma Inflatable Lifejackets Work Vest 170N, CE ISO 12402-3

SPECIFICATIONS	LALIZAS SIGMA ISO
CODE	72154
BUOYANCY CHAMBER	170Nt
PRODUCT CERTIFICATES	ISO 12402-3:2006 / Amd 1:2010
TURNING TIME minimum	< 5 sec
INDIVIDUAL FABRIC COVER	Orange Durable PVC
BELT MATERIAL	Top Quality
INFLATION	Automatic
LIFTING LOOP	Yellow
"EASY ACCESS" WHISTLE & LIFEJACKET LIGHT POSITION	YES
EASY-WEAR & PRECISE FIT DESIGN	YES
USER INSTRUCTIONS FRONT IMPRINT	YES
RAW MATERIALS TESTED ACCORDING TO	ISO:12402-7, ISO:12402-8
WARRANTY	3 years after manufactured date per instruction manual direction



Zeta Inflatable Lifejackets Work Vest 290N, CE ISO 12402-2

SPECIFICATIONS	LALIZAS SIGMA ISO
CODE	72400
BUOYANCY CHAMBER	290Nt
PRODUCT CERTIFICATES	ISO 12402-2:2006 / Amd 1:2010
TURNING TIME minimum	< 5 sec
INDIVIDUAL FABRIC COVER	Red Durable PVC
BELT MATERIAL	Top Quality
INFLATION	Automatic
LIFTING LOOP	Yellow
"EASY ACCESS" WHISTLE & LIFEJACKET LIGHT POSITION	YES
EASY-WEAR & PRECISE FIT DESIGN	YES
USER INSTRUCTIONS FRONT IMPRINT	YES
RAW MATERIALS TESTED ACCORDING TO	ISO:12402-7, ISO:12402-8
WARRANTY	3 years after manufactured date per instruction manual direction



Code.....**72325**

LALIZAS Sprayhood (ISO 12402-8) for Inflatable LifeJackets ISO 12402-3

LALIZAS Sprayhood is an additional accessory suitable for every adult inflatable 150N lifejacket. It is designed to fit over the head and cover the inflated chamber; It makes the lifejacket visible due to its orange color and reduces the amount of water spray on a person's face. It's equipped with ventilation holes for easy breathing, SOLAS approved reflective tapes and it is very easy to use.

It is provided along with donning & storage instructions while in water sprayhood assembly on Lalizas Lifejackets and sprayhood folding instructions

Suitable for Sigma, Alpha, Kappa & Delta





Front



Back



Flameproof

Inflation Lifejacket Protective Work Cover

- Provides shielding against heat, sparks, flame, soft chemicals
- Easy fit / Simple to use design
- Lightweight fabric
- Does not affect the operation, behaviour & water performance of the protected lifejacket

Code.....71211

Suitable for



CO₂ Cylinder

CODE	00349	00348	02597	02197
Cylinder	24gr	33gr	38gr	60gr



Code.....20190

Auto re-arm kit for JS1 adult lifejacket



Code.....71323

Manual re-arm kit for adult lifejacket & safety pin



Code.....20200

Auto re-arm kit for JS1 child lifejacket



Code.....71324

Auto re-arm bobines set of 4 for adult & child lifejacket



Code.....71741

Auto re-arm mechanism Hammar MA1 & cylinder 33gr



Code.....70464

Sea Dye Marker 90gr



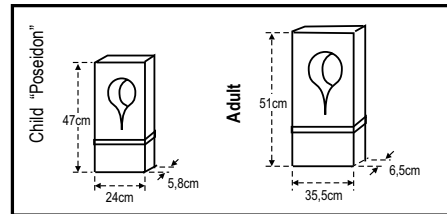
Code.....71161

Waist Belt Extender for SOLAS Infl. Lifejackets



SOLAS '74 Life Jackets

SPECIFICATIONS	SOLAS '74 CHILD	SOLAS '74 ADULT
CODE	70157	70159
BUOYANCY CHAMBER	55 Nt	95 Nt
BODY WEIGHT (kg)	0-55	>55



Dimensions are in cm



Front

Back

Work Vest 50N, CE ISO 12402-5

- Approved by ISO 12402-5, 12402-7, 12402-8
- Light Weight
- Polyester anti fire outer shell is tested according to ISO 12402-7 / ISO 12402-9 and its fire resistance ability is tested according to ISO 12402-9, Paragraph 5.5.12.
- Soft PE buoyant material
- Adjustable webbings by stainless steel D-rings and hooks
- Fabric pocket for tools or other light equipment
- Suitable for adults > 40kg with chest size 80-130cm

SPECIFICATIONS	WORK VEST ADULT
CODE	71144
BUOYANCY CHAMBER	50 Nt
BODY WEIGHT (kg)	>40
CHEST SIZE (cm)	80-130



Code.....**70010** Blue
Code.....**70020** Orange

Nautical Whistle

- CE certified according ISO 12402-8



2690

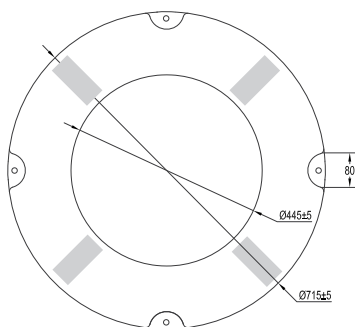
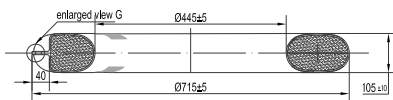
Code.....**70180**

Retro reflective Tape (ROLL) - SOLAS

- High performance microprismatic tape
- Permanently marked with shipswheel logo for immediate compliance identification
- Single layer construction for durability, abrasion resistance and flexibility
- No risk of water penetration
- Complies with SOLAS and the IMO LSA Code
- Tested in accordance with IMO Resolution A.658(16) for Type I applications.
- Approved by the US Coast Guard and Bureau Veritas
- Vinyl construction designed for inflatable devices and use in harsh maritime environments
- Length 40 m, width=50mm



LALIZAS Lifebuoy Ring SOLAS



0098

SPECIFICATIONS

Lifebuoy Ring SOLAS 2,5kg

CODE	70090
WEIGHT	2.5 kg (5.11 lb)
BUOYANCY	≥ 145 Nt
DROP HEIGHT	80m
LIFEBUOY SHELL / INTERNAL MATERIAL	PE / PU Frothing
GRAB LINE MATERIAL	PE
HIGHLY VISIBLE COLOUR	YES
STORAGE TEMPERATURE	-30°C up to + 65°C
RESISTANT TO FLAME / DIESEL OIL	YES / YES
TESTED FOR OPERATION w. LIGHT & SMOKE SIGNAL	-
EXTERNAL/INTERNAL DIAMETER	715 ±5mm / 445 ±5mm
HEIGHT	105 ±10mm

SPECIFICATIONS

Lifebuoy Ring SOLAS 4,0kg

CODE	70110
WEIGHT	4.0 kg (8.81 lb)
BUOYANCY	≥ 145 Nt
DROP HEIGHT	80m
LIFEBUOY SHELL / INTERNAL MATERIAL	PE / PU Frothing
GRAB LINE MATERIAL	PE
HIGHLY VISIBLE COLOUR	YES
STORAGE TEMPERATURE	-30°C up to + 65°C
RESISTANT TO FLAME / DIESEL OIL	YES / YES
TESTED FOR OPERATION w. LIGHT & SMOKE SIGNAL	YES
EXTERNAL/INTERNAL DIAMETER	715 ±5mm / 445 ±5mm
HEIGHT	105 ±10mm

PRODUCT CERTIFICATES

MED approved according to SOLAS 74/78 as amended Reg. III/4, III/7, III/34, X/3, MSC.48(66), MSC.81(70) [LSA Code] as amended by MSC.207(81), MSC.36(63) and MSC.97(73) [HSC Code].

REFLECTIVE TAPE

Lalzas LA70180, SOLAS/MED approved Retro- Reflective Material. In compliance with resolution A.658 (16)

Code.....71285

Set of Lifebuoy Ring Case, with 70090 Lifebuoy Ring & 30m Floating Rope

Height: 85cm - Width: 85cm - Depth: 20cm



Code...71286

Deck Pole Base for Lifebuoy Ring Case

Base Dimensions: 30x30cm
Pole Height: 150cm



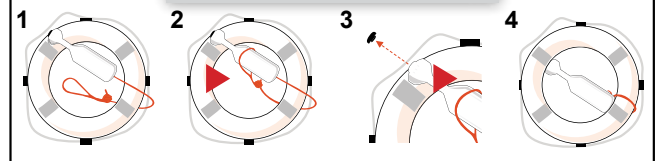
Code...72190

Encapsulated Life Buoy Rescue line, 30m

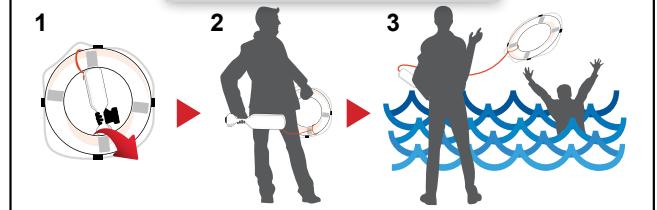


Rope
Material: PP
Diameter 8mm

Mounting Instructions



Instructions for use



Floating Rope & Line, orange

SPECIFICATIONS	Roll			Pre-cut
CODE	98991	98992	98993	70260
DIAMETER (mm)	6	8	10	8
LENGTH (m)	200	200	200	30
STRENGTH (kg)	320	400	600	400



Code.....20693

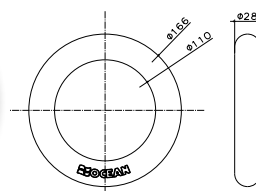
Mooring Ring with 30m rope

Specifications:

- Designed for retrieval of MOB
- PVC moulded ring, tied to a 30m floating rope
- Ext. Diam.: 166 mm
- Int. Diam.: 110 mm

Code.....72449

Mooring Ring Ø166





Code.....70030

Lifebuoy Light M.O.B (LSA Code)

Specifications

- SOLAS/MED approved
- Not less than 2cd in all directions of the upper hemisphere for a period of at least 2h (at white color).
- To be used with 4 alkaline batteries Size D.



Code.....70000
Lifebuoy Light holder



Code.....50530
Spring Clip Ø35

Code.....71325

LALIZAS Lifebuoy Light SOLAS/MED

Specifications:

- SOLAS/MED approved
- Five year life time
- No maintenance or replacement batteries are required
- Supplied complete with bracket & 1m Lifebuoy Lanyard
- Compact size
- Mounting bracket with easy fitting in all locations
- Advanced LED technology for low consumption and enhanced reliability



Code.....99826

Fixed Mount Support Base for "Store-All" Cases - Graphite

Code.....99824

Rail Support Base for "Store-All" Cases - Graphite

The 71325 & 71326 holding base can be self mounted or combined with "Store All" supports



99824
Rail Support Base for "Store-All" Cases - Graphite



99826
Fixed Mount Support Base for "Store-All" Cases - Graphite



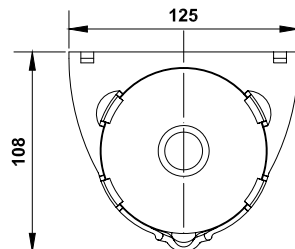
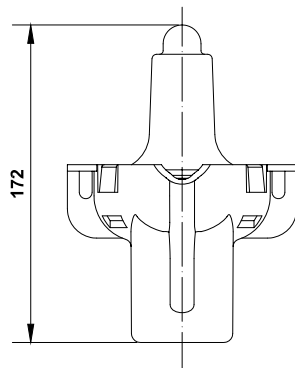


Code.....71326

LALIZAS Lifebuoy Light SOLAS/MED-ATEX/IECEX

Specifications

- The Best Intrinsic Safe Lifebuoy Light in the World –ATEX T4 Certificate (safe use in potentially explosive atmospheres where the ignition point is $\geq 135^{\circ}\text{C}$)
- SOLAS/MED approved
- ATEX & IECEx Intrinsically Safe Approvals
- Intrinsically safe, for use in all potentially explosive zones
- Five year life time
- No maintenance or replacement batteries are required
- Supplied complete with bracket & 1m Lifebuoy Lanyard
- Compact size
- Mounting bracket With Easy fitting in all locations
- Advanced LED technology for low consumption and enhanced reliability



Dimensions are in mm



Code.....72662

PLT® Rescue 230 Basic

The PLT Rescue 230 meets the IMO Solas regulation 74. You can launch 4-6 times without refilling the air cylinder. The minimum launching distance is 230 meters



PLT® Launching Unit	1
1 Air Cylinder, 300bars/4350psi or 200bars/2900psi	
1 Launching Unit	
1 Cover for air cylinder	
Launching Tube Rescue 230	1
Projectile Rescue 230	4
Typical shooting range with a dry and clean line of 3,2mm (Art No 2103): 230m. Breaking strength: 2000N	
User Manual and USB stick included	



NO EXPIRY DATE

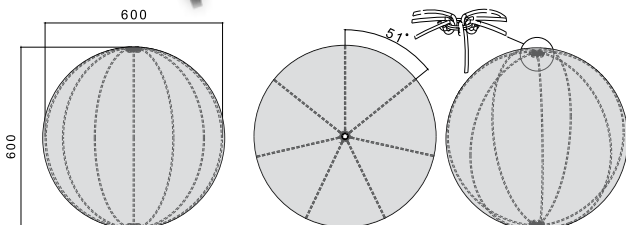
The PLT R 230 is the only Solas approved non dangerous Line Throwing Apparatus with no expirydate. Certificates: - DNV – MED B 6519 and Type Approval - DG Shipping – Approval 19-NT(3)/2013 - CCS - GB11T00019 - US Coast Guard - 160.040/EC0575/6519

Day Signals

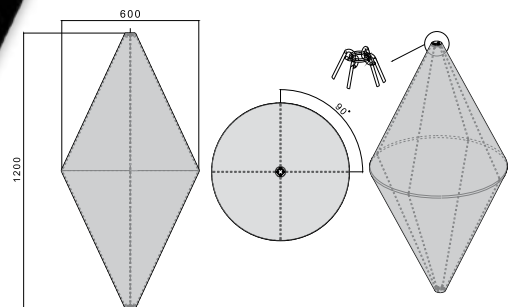
The **Day Signals** are mast head signals visually indicating the status of a vessel to other vessels on navigable waters during daylight hours. The equipment is required on board by International Regulation COLREG rules, amended. They are made of heavy-duty fabric with foldable inner framing with webbing, which is fully collapsible and offers quick and easy storage. Both ball and diamond shapes are in black color.



Code.....72731
Day signal ball,
diam.600mm, black



Code.....72732
Day signal, diamond,
1200x600mm, black





Code.....9990202

Comet Parachute rocket, Red



Code.....9990201

Comet Hand-flare, Red



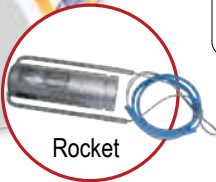
Code.....9990203

Comet floating smoke signal



Code.....9990205

Comet line throwing device 250



Rocket



Code.....9990206

Comet Linethrower 250 Body & Line



Code.....9990105

Comet Line Throwing Rocket 250



Code.....70230

Hand Signals LSA Code



Code.....70200

Hand Signals



Code.....70210

Smoke Signals

Code.....70220

Parachute Signals



Code.....9990204

Comet Manoverboard & Brackets



New IMO Regulations



Code.....72496

Personal Survival Kit (PSK)



Products	Quantity
Immersion Suits	1pc
Thermal Protective Aid	1pc
Skin Protection Cream (Vaselin 15ml)	1pc
Winter Goggles	1pc
Whistle	1pc
Penknife	1pc
Polar Survival Manual	1pc
Emergency Food 500gr	3 pkgs
Carrying Bag (waterproof)	1pc

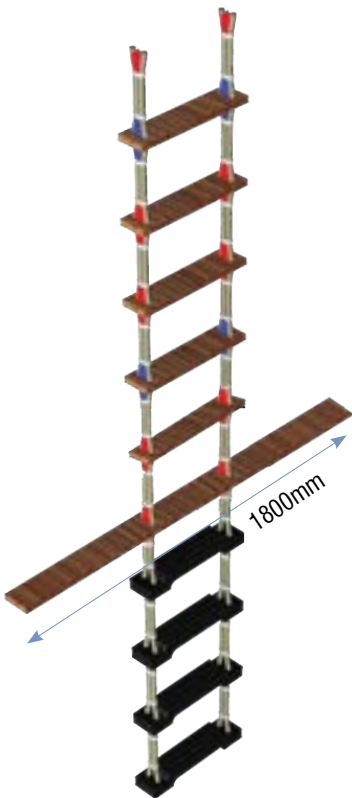
Code.....72495

Group Survival Kit (GSK)

6 persons



Products	Quantity
Tent (6 persons)	1pc
Thermal Protective Aid	6pcs
Sleeping Bags	3pcs
Foam Sleeping Mats	3pcs
Shovels	3pcs
Emergency Food 500gr	18 pkgs
Flashlight	1pc
Waterproof & Windproof Matches	1pc
Whistle	1pc
Signal Mirror	1pc
Drinking Mugs	2pcs
Water Containers 48lt	1pc
Easy Switch (For water Container)	1pc
Water Purification powder (300ml)	1pc
Hand Sanitizer (50ml)	1pc
Spare PSK	1pc
Carrying Bag (waterproof)	1pc



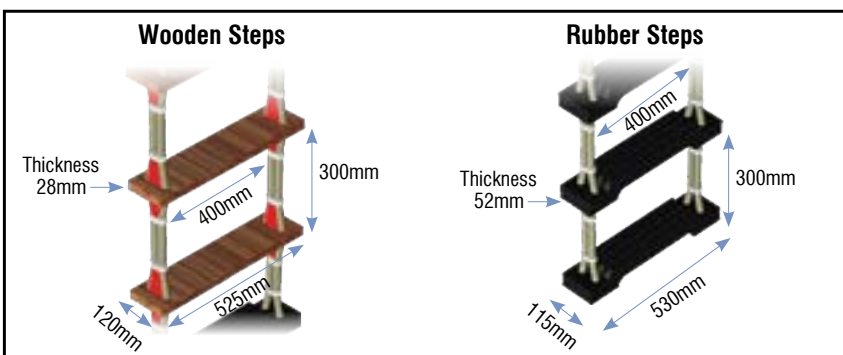
Pilot Ladders

CODE	Height (m)
72606	3
72607	4
72608	5
72609	6
72610	7
72611	8
72612	9
72613	10
72614	11
72615	12
72616	13
72617	14
72618	15
72619	16
72620	17
72621	18
72622	19
72623	20



Embarkation Ladders

CODE	Height (m)
72578	3
72579	4
72580	5
72581	6
72582	7
72583	8
72584	9
72585	10
72586	11
72587	12
72588	13
72589	14
72590	15
72591	16
72592	17
72593	18
72594	19
72595	20
72596	21
72597	22
72598	23
72599	24
72600	25
72601	26
72602	27
72603	28
72604	29
72605	30





LALIZAS Emergency Evacuation Breathing Device (EEBD) "ESCAPE-15"

The Lalizas Emergency Escape Breathing Device (EEBD), complies with the amended SOLAS ch.II-2 and the IMO MSC/Circ.849. All vessels on international routes must carry EEBDs on board.

Lalizas approved EEBD carries the following characteristics:

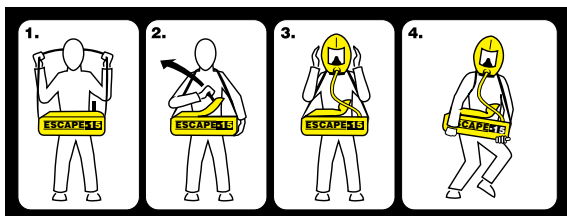
- Flame resistant materials, silver in colour to reflect heat and be highly visible.
- Durable and reliable construction with low maintenance
- Full-face hood fits all persons
- Steady air-flow for 15 minutes with sufficient air delivery rate
- Easy visual access on the pressure gauge
- Working temperature range: -10°C to 65°C
- Easy to refill cylinder - no adaptor required
- Approved to SOLAS Chapter II - 2 and MSC/Circ.849 & designed to meet EN1146:2005 & ISO 23291-1(2008)



SPECIFICATIONS

Breathing Device

CODE	70321
VOLUME	14300 cm ³
WEIGHT	5500 gr
HEIGHT	22 cm
WIDTH	13 cm
LENGTH	50 cm





LALIZAS SOLAS/MED Self Contained Breathing Apparatus

This SOLAS/MED -approved SCBA offers reliability and comfort and its key features are:

- Open circuit on demand positive pressure Self Contained Breathing Apparatus
- Anatomic carbon fibers composite material back frame with harness for perfect and easy donning
- Both back frame and harness are flame retardant, waterproof and antistatic
- With warning whistle providing a continuous sound of high intensity (>90Db) warning the user that the air is dropping down
- Packed in heavy duty plastic carrying suitcase

The SCBA contains the following parts:

- Breathing apparatus carrier with harness
- Pressure regulator with gauge & whistle
- Pressure & air flow regulator
- Breathing apparatus facemask
- Compressed air cylinder
- Compressed air cylinder valve, 300bar



0098

SPECIFICATIONS

Breathing Apparatus

CODE	71327	71328
CYLINDER VOLUME (L)	6	9
CYLINDER MATERIAL	Steel	Carbon Composite
WORKING PRESSURE (Bar)	300	300
WARNING PRESSURE (Bar)	40-60	40-60
AIR CAPACITY (lt)	1800	2700
WEIGHT (kg)	≤15	≤12
PACKING DIMENSIONS (cm)	270x490x755	280x445x735
APPROVAL	SOLAS/MED	SOLAS/MED



0098



Spare compressed air cylinder & Valve 300bar assembly with air

SPECIFICATIONS

Air Cylinder

CODE	02302	02303
CYLINDER VOLUME (L)	6	9



Compressor, high pressure, MISTRAL M6-ET 440V 60 Hz 300 Bar

SPECIFICATIONS

High-pressure piston compressor

CODE	72706
AIR DELIVERY FAD	103 lit/min - 6,2 m³/h
MAX. WORKING PRESSURE	330 bar
STAGES	3
SPEED ROTATION	1200 rpm
TRANSMISSION	V Belt
MOTOR POWER	2,2kW/3Hp – 220V/ 50-60Hz or 400-440V/50-60Hz (Class F, IP 55)
DIMENSIONS (L-W-H)	72 x 38 x 47 cm
WEIGHT	53 - 54 Kg



Fireman Suit Complete Set, MED Certificate

Ships Wheel and SOLAS approved Fireman's Outfit Complete Set

Includes:

- Jacket
- Trousers
- Helmet
- Gloves
- Boots
- Carrying Bag

Code	Size
72082	L
72083	XL

Code.....72249

Firemans Helmet SOLAS MED Approved

Multi-purpose helmet, offering high standard of protection and comfort with accessories that further widen the possibility of customisation. Designed for outland and wildland firefighting, rescue service activities, EMS activities and industrial protection



Code.....72707

Lifeline, fireproof with hook, 4mmx30m

Diameter: 4mm



Code.....71686

Fireman Axe with Short Anti Slip Handle 1,2kg

This short fireman's axe provides heavy duty chopping power to gain access to locked doors and hollow walls during an emergency.

- High carbon steel blade
- 9cm cutting edge
- Overall length: 34cm
- Weight: 1.2kg
- Pick spike for piercing and prying
- Anti slip handle
- Rubber protective blade cover



Code.....71685

Fireman Axe with Long Wooden Handle 2,8kg

This long fireman's axe is the ideal tool for demolition work.

- High carbon steel blade
- 12cm cutting edge
- Overall length: 90cm
- Weight: 2.8kg
- Pick spike for piercing and prying
- Wooden ash handle
- Rubber protective blade cover

LALIZAS Fire Hose



CODE	INNER DIAM (inch/mm)	COUPLING	LENGTH (m)
71698	1,5" / 38	Storz 38 brass	15
71699	1,5" / 38	Storz 38 brass	20
72499	1,5" / 38	Storz 38 brass	25
71705	2" / 52	Storz C brass	15
71706	2" / 52	Storz C brass	20
71707	2" / 52	Storz C brass	25
71711	2,5" / 64	Storz 65 brass	15
71712	2,5" / 64	Storz 65 brass	20
71713	2,5" / 64	Storz 65 brass	25
72500	1,5" / 38	Nakajima 38 brass	15
72501	1,5" / 38	Nakajima 38 brass	20
72502	1,5" / 38	Nakajima 38 brass	25
72503	2" / 52	Nakajima 50 brass	15
72504	2" / 52	Nakajima 50 brass	20
72505	2" / 52	Nakajima 50 brass	25
72506	2,5" / 64	Nakajima 65 brass	15
72507	2,5" / 64	Nakajima 65 brass	20
72508	2,5" / 64	Nakajima 65 brass	15

LALIZAS Fire Hose



CODE	INNER DIAM (inch/mm)	LENGTH (m)
72509	1,5" / 38	15
72510	1,5" / 38	20
72511	1,5" / 38	25
72512	2" / 52	15
72513	2" / 52	20
72514	2" / 52	25
72515	2,5" / 64	15
72516	2,5" / 64	20
72517	2,5" / 64	25



LALIZAS Fire Hose Coupling

CODE	Fog Nozzles
72518	Storz 38 brass
72519	Nakajima 38 brass
72520	Storz 50 brass
72521	Nakajima 50 brass
72522	Storz 65 brass
72523	Nakajima 65 brass

LALIZAS Fog Nozzles, 3 position

CODE	Fog Nozzles
72524	Storz 38 brass
72525	Nakajima 38 brass
72526	Storz 50 brass
72527	Nakajima 50 brass
72528	Storz 65 brass
72529	Nakajima 65 brass

Fire Extinguishers

Fire Extinguishers are essential on board for your safety and the safety of your crew. Lalizas offers you 3 types of fire extinguishers with Dry powder, Foam and CO₂ pressurized in highly resistant bottles.



Code	Dry Powder					Foam	CO ₂
	70444	70445	70446	40069	72744	47462	49952
Powder Weight (kg)	2	3	6	9	12	-	-
Foam Weight (lt)						9	-
CO ₂ Weight (kg)							5
Fire Class	A, B and C					A and B	B
Dimensions (mm)	110 x 308	130 x 369	150 x 470	180 x 595	190 x 635	180 x 595	152 x 665
Weight (kg)	3	5	9	13,8	17	14,6	18,6
Accessories	Manometre	•	•	•	•	•	-
	Safety Pin	•	•	•	•	•	-
	Base	•	•	•	•	•	•

Code.....70444

**Dry Powder, 2kg
with base**



Code.....70445

**Dry Powder, 3kg
with base**



Code.....70446

Dry Powder 6kg

Code.....40069

Dry Powder 9kg

Code.....72744

Dry Powder 12kg



Code.....47462

Foam, 9 lt



Code.....49952

CO₂ 5kg



Fire Blanket in a case PVC



SPECIFICATIONS

	Fire blanket	
CODE	70448	71298
DIAMENSION (cm)	100x100	120x180

Code.....72661

Helicopter Safety Kit Equipment

Includes:



LALIZAS SOLAS/
MED Self Contained
Breathing Apparatus



Fireman Axe with
Long Wooden
Handle 2,8kg



Floating Hook
with 1-End, Pine



Foldable
Ladder



Screwdriver set



Fireman's lifeline



Power cutting tool



Fire Blanket in
a case PVC



Hacksaw



Adjustable spanner



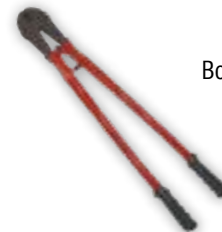
Marine
multi-function tool



Gloves



Crowbar



Bolt cutter, 90cm

Offshore Personal Dry Bag



Code.....72727

Offshore Personal Dry Bag

Contains:

- Dry bag (red 800x500mm)
- LALIZAS Lifejacket Lamda Auto, SOLAS 150N
- Flashlight, 5LEDs, 4AA
- Escape Smoke Hood
- Fireman Gloves (indicate sizes)



Code.....72716

GasTight Chemical Suit Interceptor

It a suit for your needs be it gas, vapor, aerosol, liquids, harmful contaminants or particulate protection.



Chemical protection suit

Double sided PVC coated polyester fabric 360gr/m². 100% waterproof coverall with fixed hood, windproof and tear resistant. Bares high frequency welded seams, extra deep protective cuffs at wrists and ankles, zip closure under double storm flap with press domes. It is suitable for a variety of acids - chemicals.

Code	Size
72714	L
72715	XL



Code.....72712

Full face mask Promask for filter use

A multi-function full face mask provides unrivalled comfort and protection against a wide variety of respiratory hazards. Filters not included.

- The respirator features a unique, contoured T-profile sealing edge for superior fit
- Sweat port in the chin pocket provides added comfort during extended periods of wear
- The special inner mask reduces CO₂-content (<0.5%) within the mask to a minimum, thereby decreasing user fatigue
- The design prevents the visor from misting by directing the airflow across the visor
- The positioning of the filter reduces the likelihood of neck strain and permits good downward visibility
- The halo-butyl compound of the Promask black provides unmatched resistance to chemicals, ozone ageing, and to daily wear and tear
- All valves are made from flexible, long-life silicone
- Highly efficient speech diaphragm provides clear communication



Code.....72713

Filter for full face mask, ABEK-P3 Type

Acid gases and vapours, e.g. sulphur dioxide, hydrogen fluoride, formic acid, solid and liquid radioactive and toxic particles, bacteria and viruses.



Chemical Protection Gloves

Gloves are chemicals gloves made of nitrile flocked, thickness 0,38mm and sand patch grip design. Applications: Chemical processing and preparation, refining-oil & petrol, metal fabrication, agrochemicals, printing industry

Code	Size
72708	9
72709	10



Chemical Resistant Boots

Safety rubber boot made of PVC and cotton lining. Features natural rubber sole resistant to oil, disinfectants and various chemicals. Bares steel toecap and steel midsole.

Code	Size
72710	42-43
72711	44-45



Workwear coverall, cotton 200gsm

CODE	CODE	CODE	SIZE
● 72637	● 72644	○ 72651	Small
● 72638	● 72645	○ 72652	Medium
● 72639	● 72646	○ 72653	Large
● 72640	● 72647	○ 72654	X Large
● 72641	● 72648	○ 72655	2X Large
● 72642	● 72649	○ 72656	3X Large
● 72643	● 72650	○ 72657	4X Large

**100% COTTON
MERCERIZED & TWICE
PRE-SHRUNK**



Fishermen's Jackets and trousers

Fishermen's Jackets and Trousers have a 0,35mm double PVC coating on the inside of the fabric to make it 100% waterproof and on the outside to provide extra durability. Even fish blood and grease are fairly easy to clean.

Instead of seam stitching, the different garment parts are "glued" as a second security to make it 100% waterproof. The LALIZAS Fishermen gear is designed to minimize the possibilities for nets to get caught while working. They feature full front flapped zipper and inner hand cuffs. The pants have a high bib at the front and back with elastic adjustable belt straps with buckle closure.

Jackets		Trousers	
CODE	SIZE	CODE	SIZE
● 40175	S	● 40195	S
● 40176	M	● 40196	M
● 40177	L	● 40197	L
● 40178	XL	● 40198	XL
● 40179	XXL	● 40199	XXL
● 72488	XXXL	● 72490	XXXL



Velcro tape at hood chin



Full storm flap



Inner elastic hand cuff



All seams are sealed



Inside trouser pocket

Code.....72544

Basket Stretcher

The Basket Stretcher is designed to cover most of emergency rescue situations. It's made of high resistive material and it has many handholds, which make it ideal for quick and safe transfer.

Includes 4 safety belts, foam pad for patient comfort, adjustable feet-securing mechanism for vertical lifting and special rings for Bridle. By using it with the Four Point Bridle (not included), it is ideal for aerial rescue.

Conforms to ISO 13485:2003



SPECIFICATIONS	Basket Stretcher
DIMENSIONS	215x61x19 cm
LOAD BEARING	159 kg
GROSS WEIGHT	18 kg



Code.....72546

Four-point Bridle (For 72544)

Required for aerial rescue.



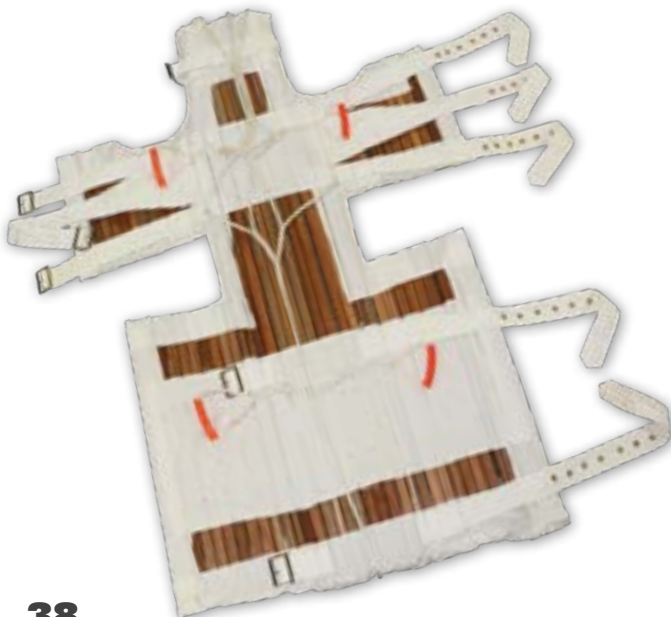
Code.....72545

Neil-Robertson Stretcher

Designed specifically to ensure stability before and during lifting. The Neil Roberston's unique spliced slat design makes it frequently the stretcher of choice in difficult rescue situations when a casualty needs to be lowered or lifted to safety. It is ideal for all kind of ships, field working and industries.

Conforms to ISO 13485:2003

SPECIFICATIONS	Breathing Device
LENGTH	150 cm
LOAD BEARING	120 kg





Survival Equipment for Liferrafts & Lifeboats



Code.....56700

**LALIZAS Emergency
liferaft drinking
water 4x125ml**



Code.....57070

**LALIZAS Emergency
liferaft food ration
0,5 kg**



RINA: Certificate No.: FPE 130117CS/002

RINA: Certificate No.: FPE 130117CS/001

COMPLY WITH ISO 18813:2006, SOLAS 74/96 as amended,
IMO MSC 48(66) LSA Code as amended,
Halal Certification & Health Certification

Code.....71245

First Aid Kit SOLAS 74, For Life Boats - Life Rafts

Certified by the Ministry of Merchant Marine/Merchant Ships Directorate according to
- the International Convention on the Safety of Life at Sea 1974 (SOLAS 74) and the 1983 amendments
- the Royal Decree 36/1967
- the Presidential Decree 277/1997.

Contents

Anti-Angina Preparations, Anti-Hemorrhagics Including Uterotonics, Anti-Acid Mucous Dressings, Anti-Emetics, Anti-Diarroeals, Analgesic-Antipiretics, Analgesic-Anti-Inflammatory Preparation, Antiseptic Mercurochrom, Antiseptic Eau Oxygenee, Burn Preparation, Cannula for Mouth to Mouth Resuscitation, Adhesive Elastic Bandage, Sterile Gauze Compresses, Cotton Wool, Disposable Polyethylene Gloves, Adhesive Dressings, Sterile Compression Bandages, Adhesive Sutures, Sterile Gauze with Fatty Water and Vegetable Oils for Burns, Adhesive Tape, Scissors, Thermometer, Disposable Syringes 2.5ml - 5ml





LALIZAS  by **RITCHIE**

Compasses Voyager B-81, with bracket mount

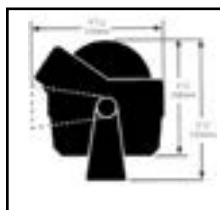
SPECIFICATIONS	Compass
CODE	71156
COLOUR	Black

- Boat Style/Size: Power
- Dial Size/Design: 3" (7.62cm)/Flat Card or CombiDial
- Night Lighting: 12V Green
- Compensators: Built-in
- Warranty: 5-Year
- Approx. Shipping Wt.: 1 lb. 3 oz. (539g)



0735

The Wheelmark Symbol denotes conformance with Standard ISO 10316(E) and ISO 613:2000(E).



Code.....**72149**

Night-Vision Monocular, SeaNav

Technical Specifications

Magnification: 5X
 Lens Diameter: 40mm
 Field of View: 50 x 3.750
 Ocular adjustment range: +/- 0.6
 Observing distance:
 2m (Low light environment)
 200m-∞ (Dark environment)
 Voltage: 3.7V DC
 Battery: RCR123A rechargeable
 Charger: 5.0V/2A Adaptor
 Dimensions: 200 x 86 x 56mm
 Weight: 400g





Code.....31317

Binoculars Auto Sea Nav SAF 7x50

Technical Specifications

- Magnification: 7X
- Lens Diameter: 50mm
- Angle of Vision: 6.2°
- Exit Pupil: 7,1mm
- Eye Relief: 10mm
- Focus: Auto-focus
- Prism Type: Porro K9
- Field of View: 133@1000m
- Lens Coating: Fully coated
- Housing: Rubber
- Weight: 750gr
- Dimensions: 6,5x19x20cm



Code.....31367

**Binoculars Waterproof with Compass
Sea Nav WECR 7x50**

Technical Specifications

- Magnification: 7X
- Lens Diameter: 50mm
- Angle of Vision: 7.5°
- Exit Pupil: 6,8mm
- Eye Relief: 23mm
- Focus: Individual
- Waterproof: Yes
- Fog proof: Yes
- Floating: Yes
- Prism Type: Porro BAK-4
- Field of View: 132@1000m
- Rangefinder: Yes
- Lens Coating: Fully coated
- Compass: Yes
- Weight: 890gr
- Dimensions: 20x8x15cm



Range finding reticle scale



Straight pattern brass dividers

SPECIFICATIONS	Dividers	
CODE	94003	94004
LEGTH	17,8 cm (7")	20,3 cm (8")



Parallel ruler

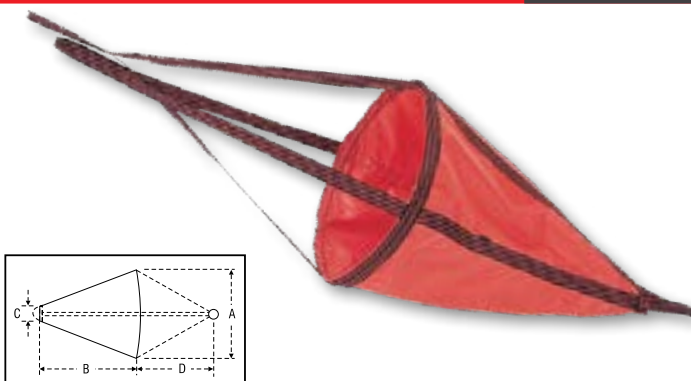
SPECIFICATIONS	Dividers	
CODE	94008	94009
LEGTH	17,8 cm (7")	20,3 cm (8")

Sea Anchor (Drogue)

Made of strong coated PVC with continuous webbing inside, for added strength. Suitable for boats between 4,5-12m.

CODE	Boats Length	A(cm)	B(cm)	C(cm)	D(cm)
10073	7,5m (25ft)	125	125	17	125
10074	9m (30ft)	135	142	20	125

ATTENTION: This is a very general guide and there may be variations based on the weight, keel of the boat, even on the intended use of the sea anchor etc. Your choice should not be based only on the guide.



Code.....**70461**

Thermal Protective Aid "Alusafe-T" - LSA Code

- SOLAS Approved by "Lloyds" Registry
- Constructed with aluminium film coated fabric, protecting against hypothermia
- Ideal for prolonged exposure in liferaft and rescue boats
- Survivor's protection from wind and cold is warranted
- Dimensions: 2,20x0,98 m



0098



Storage Bottle

SPECIFICATIONS	Bottle
CODE	39644
CAPACITY (LT)	12
DIAMETER (MM)	240
HEIGHT (MM)	380



Code.....**57343**

Hook with Thread - Black

Ø 22 mm



Code.....**11919**

Scoop bailer 2.5lt, orange

Telescopic Handle for hook, Aluminium



SPECIFICATIONS	Telescopic Hook
CODE	57342
DIAMETER	2,2 - 2,5 cm
LENGTH (MIN)	165 cm
LENGTH (MAX)	305 cm

Telescopic Hook with 2 ends, Aluminium



SPECIFICATIONS	Telescopic Hook
CODE	50050
DIAMETER	3 cm
LENGTH (min)	118 cm
LENGTH (max)	204 cm

Palm Grip Paddle

Made of a marine grade aluminum shaft and virtually indestructible plastic handle and collar.



SPECIFICATIONS	Telescopic Hook
CODE	50300
DIAMETER	35 mm
LENGTH	220 cm



LALIZAS Inflatable tank check boat “Hercules 240”

- Suitable for inspection of deep tanks of tanker ships.
- Made of extra strong PVC 1100D 1050 g/m2 with cold welded seams.
- PVC material providing resistance to extreme temperatures and chemicals, such as petrol and oil
- 2-year warranty on the tube materials and seams

Remember to carry the necessary safety equipment at all times when using any inflatable boat.



SPECIFICATIONS

Inflatable boats

CODE	50920	50921
“HERCULES”	240	240CK
MAXIMUM NUMBER OF PERSONS	3	
MAXIMUM LOAD	310 kg	
MAXIMUM POWER	4,9 Hp / 3,6 KW	
OVERALL DIMENSIONS	240 x 142 cm	
STOWED DIMENSIONS	102x32x48 cm	102x30x60 cm
WEIGHT (INCLUDING FLOOR)	26 kg	34 kg
FLOOR	3 Wooden Slats (80x20x1,2cm)	Continuous Foldable Wooden
KEEL	-	Inflatable
AIR CHAMBERS DIAMETER	40 cm	
NUMBER OF AIR CHAMBERS	2	
SEAT	Wooden Seat (80x23x1,5cm)	
D-RINGS	1	
STANDARD EQUIPMENT INCLUDED	Packaging Bag, Repair Kit, Foot Pump, 2 Paddles	



ISO CD 6185



Code.....72254

Ocean Signal Emergency Position Indicating Radio Beacon E100

- Available with/without GPS
- **Superb battery life** (typical operation >96h)
- **Easy release mounting bracket** included
 - Automatic release housing available (72310 optional)
 - **MED & USCG Certified**



0168

Code.....72255

Ocean Signal Emergency Pos Indicating Radio Beacon with GPS E100G

- Available with/without GPS
- **Superb battery life** (typical operation >96h)
- **Easy release mounting bracket** included
- Automatic release housing available (72310 optional)
- **MED & USCG Certified**



0168

Code.....72256

Ocean Signal Search and Rescue Transponder S100

- **Compact size** (ideal for liferaft canisters)
- **Superb battery life** (12h operating use after 96h standby)
- **Non-hazardous battery** for shipping purposes
- **Telescopic pole and mounting bracket** included
- **MED & FCC Certified**



0168

Code.....72562

Ocean Signal EPIRB E100/G with auto release housing, Set



0168



0168

Code.....72257

Ocean Signal GMDSS Handheld Radio V100

- **Fully waterproof**
- Fitted with **21 simplex channels** as standard
- **Superb battery life** (typical operation > 16h)
- **Non-hazardous** battery for shipping purposes
- **MED & FCC Certified**



0168

Code.....72258

Ocean Signal GMDSS Handheld Radio Kit V100-KIT

- **Fully waterproof**
- Fitted with **21 simplex channels** as standard
- **Superb battery life** (typical operation > 16h)
- **Non-hazardous** battery for shipping purposes
- **MED & FCC Certified**



0168

Code.....72259

Ocean Signal GMDSS Handheld Radio Kit with accessory socket V100A

- **Fully waterproof**
- Fitted with **21 simplex channels** as standard
- **Superb battery life** (typical operation > 16h)
- **Non-hazardous** battery for shipping purposes
- **MED & FCC Certified**















OCEAN Buoy R Series

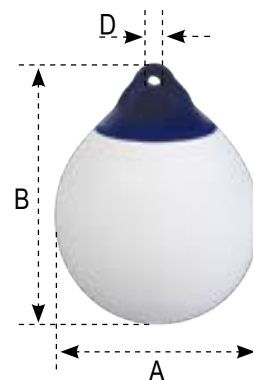
R Series are Heavy Duty Buoys in which the rib-reinforced rock solid ropehold is made in such way, in order to provide extra strength and durability. A versatile buoy for the most adverse conditions. Marking gear for ocean, sea, river or lake, it is becoming widely popular among commercial fishermen for its durability but also among the recreational boats too.

They are one-piece made, which means that no parts are attached together to form the finalized buoy, and has consistent wall thickness and UV resistant.

Suitable for any use and any kind of boat from 20-80ft, the Ocean Buoys "fends" proudly.

- Inflation pressure: 2.1lbs/0,15bar at 68°F/20°C
- Material: Plastisol PVC
- Production process: Single procedure Rotational moulding

MODEL	COLOUR	CODE	Dimensions		Eye Diameter D (mm)	Volume per products (lt)	Buoyancy (kg)	Weight (kg)	Boat Size (ft/m)
			A (mm)	B (mm)					
R3		71996	440	580	28	49	54	3	25-40/8-12
		72004							
R4		71997	520	680	28	82,6	90	4	35-45/11-14
		72005							
R5		71998	680	900	30	179,1	205	6,2	40-55/12-17
		72006							
R6		71999	880	1120	38	376	400	8	55-70/17-21
		72007							
R7		72000	1000	1380	50	620,6	670	10	65-80/20-24
		72008							



OCEAN MAGNUS Inflatable fenders

The Magnus inflatable fenders are made of reinforced PVC material. There are options with 1 or 3 D-rings attached on each side of the fender, as well as wrap around straps for better durability and strength. They are light in regard to their size, simple to use and when deflated can be stowed in small lockers. They can be quickly inflated by using any standard or electric pump and easily mounted. The Magnus inflatable fenders are available in various sizes and in black colour.

- Thickness: 1.2mm
- Material: PVC Body
- D-ring
- Wrap around tape
- Recommended inflation pressure: 2,4psi

CODE	Diameter (mm)	Length (mm)	D-ring on top	D-ring on bottom	Boat Size (ft/m)
72159	420	1320	1	1	130-190/40-58
72162	1100	1350	3	3	130-190/40-58
72160	650	1600	1	1	140-210/43-64
72161	970	1910	3	3	over 200/60
72163	900	2100	3	3	over 210/67



- Welded together not glued
- Provides easy storage
- Convenient inflation and deflation
- Reinforced D-Rings
- Reinforced PVC



LALIZAS IMO SIGNS

Categories

- IMO Life Saving App. Symbols
- Safety Signs
- Direction Signs
- Low Location Lighting
- IMO Fire Control Symbols
- Fire Equipment Signs
- Mandatory Signs
- Hazard Signs
- Prohibition Signs
- Multi-message Signs
- ISPS Code
- Departmental Signs
- Temporary Tie Tags
- Safety & Training Posters
- Tapes
- Special Products
- Lifebuoy Lettering



Manufactured with the superior quality of 3M™

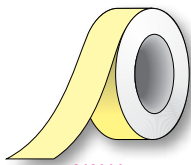
Material
Lalizas Code
Material 814100
81 - Photoluminescent, self adhesive vinyl
82 - Photoluminescent, rigid PVC
83 - White, self adhesive vinyl
84 - White, rigid PVC
85 - White, self adhesive paper or laminated paper
86 - Transparent vinyl
87 - Transparent, rigid plastic
88 - Coloured vinyl or coloured polyethylene

GET LALIZAS IMO SIGNS
Supplied Within **24 HOURS** in

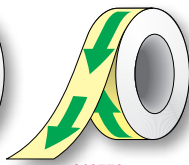
GREECE
SPAIN
SINGAPORE
SOUTH AFRICA

www.lalizasimosigns.com

Low Location Lighting Components



812014
4cmx10m
812018
8cmx10m



819776
4cmx10m
819779
8cmx10m



819777
4cmx10m
819780
8cmx10m



812024
4cmx10m
812028
8cmx10m



812034
4cmx10m
812038
8cmx10m



812044
4cmx10m
812048
8cmx10m



812054
4cmx10m
812058
8cmx10m



880001
5cmx10m
880002
9cmx10m



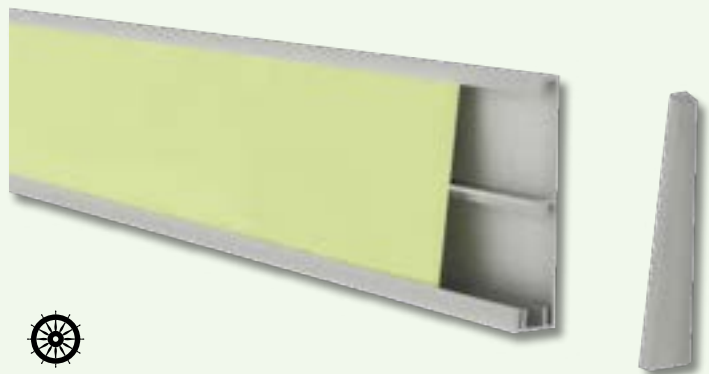
880003
5cmx10m
880004
9cmx10m



880005
5cmx10m
880006
9cmx10m

Low Location Lighting

R I G I D S Y S T E M



0098

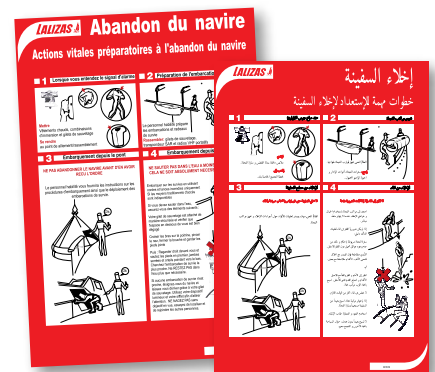
Full Pack Service
Custom made Production
Onboard Installation
Test & Measurement report

Lifebuy Lettering



Special Products

All signs can be produced in any language that you may select



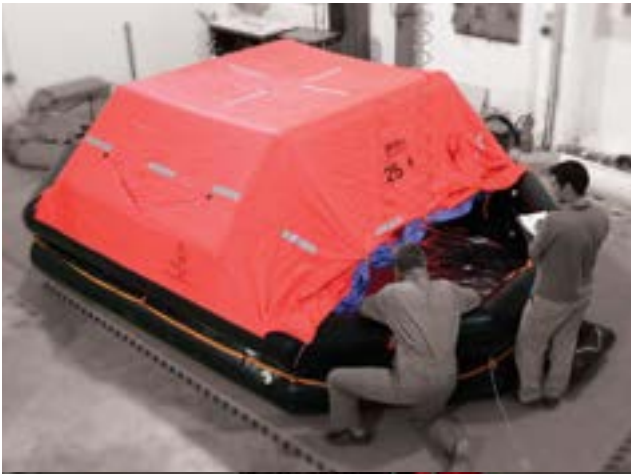


Service Station Network

- 1. Appropriate Approved Facilities**
- 2. Stock Flexibility**
- 3. Original Spare Parts**
- 4. 24/7 Service**

Check your nearest Service Station on-line at

www.lalizas.com/service.php



LIFERAFTS SOLAS & NON-SOLAS

Professional and certified service

Lalizas Liferafts provide the flexibility of being serviced anywhere in the world, offering a global solution for both Commercial & Recreational users. Our Global Service Stations Network is fully supported by LALIZAS Headquarters, in order to maintain and evolve the quality of our After Sales Service. All authorized service stations have been approved to provide necessary actions of complete Liferaft servicing and to offer our customers:

- Detailed Testing
- Complete Product Service
- Original Inspection Certificates

IMMERSION SUITS

Leak tight service

Every station includes all the necessary certifications to be authorized and inspect your acquired LALIZAS products. Our LALIZAS Neptune Immersion suits are found throughout the Global Shipping Industry and in several commercial vessels creating the need to be available for service in multiple ports of call.

LIFEJACKETS SOLAS & NON-SOLAS

Making you safe within a short time

When the most famous and best selling product range of LALIZAS is escorted by a solid station network, it is quite imminent to be announced as the cornerstone of all users' requested flexibility. Inflatable lifejacket Inspection is provided through LALIZAS service practice with the most flexible way to deliver your items always on time and validated through the current regulations.

BREATHING DEVICES

Feel free to breathe safe

Making the highest standard inspections and services to assure normal operation in each device. Our Service teams around the world keep their mind and give priority on "Safety First". Our quality control goes through checking all valves, pressure gauges and even the compressed air quality to assure maximum operation for the user.

LALIZAS 
Simply life saving

www.lalizas.com / contact